

Inductive sensor

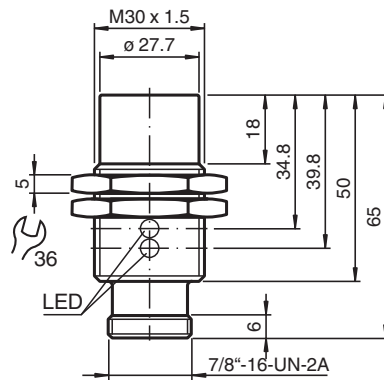
NBN25-30GM50-US-V93



- Basic series
- 25 mm non-flush
- 2-wire AC/DC



Dimensions



Technical Data

| General specifications | | |
|-----------------------------|-------|---------------------------------|
| Switching function | | Normally open (NO) |
| Output type | | Two-wire |
| Rated operating distance | s_n | 25 mm |
| Installation | | non-flush |
| Output polarity | | AC/DC |
| Reduction factor r_{AI} | | 0.47 |
| Reduction factor r_{Cu} | | 0.44 |
| Reduction factor r_{304} | | 0.77 |
| Output type | | 3-wire |
| Nominal ratings | | |
| Operating voltage | U_B | 20 ... 250 V AC/20 ... 300 V DC |
| Switching frequency | f | 30 Hz |
| Hysteresis | H | 3 ... 15 typ. 5 % |
| Reverse polarity protection | | reverse polarity tolerant |
| Short-circuit protection | | yes |
| Voltage drop | U_d | ≤ 8 V |

Release date: 2022-06-22 Date of issue: 2022-06-22 Filename: 198098_eng.pdf

Refer to "General Notes Relating to Pepperl+Fuchs Product Information".

Pepperl+Fuchs Group
www.pepperl-fuchs.com

USA: +1 330 486 0001
fa-info@us.pepperl-fuchs.com

Germany: +49 621 776 1111
fa-info@de.pepperl-fuchs.com

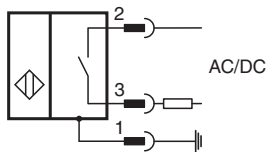
Singapore: +65 6779 9091
fa-info@sg.pepperl-fuchs.com

 PEPPERL+FUCHS

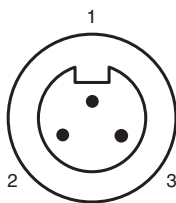
Technical Data

| | | |
|---|-------|---|
| Operating current | I_L | 4 ... 500 mA AC/DC |
| Off-state current | I_r | ≤ 0.8 mA |
| Operating voltage indicator | | LED, green |
| Switching state indicator | | LED, yellow |
| Compliance with standards and directives | | |
| Standard conformity | | |
| Standards | | EN 60947-5-2:2007 EN 60947-5-2/A1:2012 IEC 60947-5-2:2007 IEC 60947-5-2 AMD 1:2012 |
| Approvals and certificates | | |
| UL approval | | cULus Listed, General Purpose |
| CSA approval | | cCSAus Listed, General Purpose |
| CCC approval | | Certified by China Compulsory Certification (CCC) |
| Ambient conditions | | |
| Ambient temperature | | -25 ... 70 °C (-13 ... 158 °F) |
| Storage temperature | | -40 ... 85 °C (-40 ... 185 °F) |
| Mechanical specifications | | |
| Connection type | | Connector plug 7/8 inch-16 UN , 3-pin |
| Housing material | | brass, nickel-plated |
| Sensing face | | PBT |
| Degree of protection | | IP67 |

Connection




Connection Assignment



Wire colors

| | | |
|---|----|---------|
| 1 | GN | (green) |
| 2 | BK | (black) |
| 3 | WH | (white) |

Accessories

| | | |
|---|-------------------------|--|
|  | V93-G-YE2M-STOOW | Female cordset, 7/8", 3-pin, STOOW cable |
|---|-------------------------|--|

Release date: 2022-06-22 Date of issue: 2022-06-22 Filename: 198098_eng.pdf

Refer to "General Notes Relating to Pepperl+Fuchs Product Information".

Pepperl+Fuchs Group
www.pepperl-fuchs.com

USA: +1 330 486 0001
fa-info@us.pepperl-fuchs.com

Germany: +49 621 776 1111
fa-info@de.pepperl-fuchs.com

Singapore: +65 6779 9091
fa-info@sg.pepperl-fuchs.com